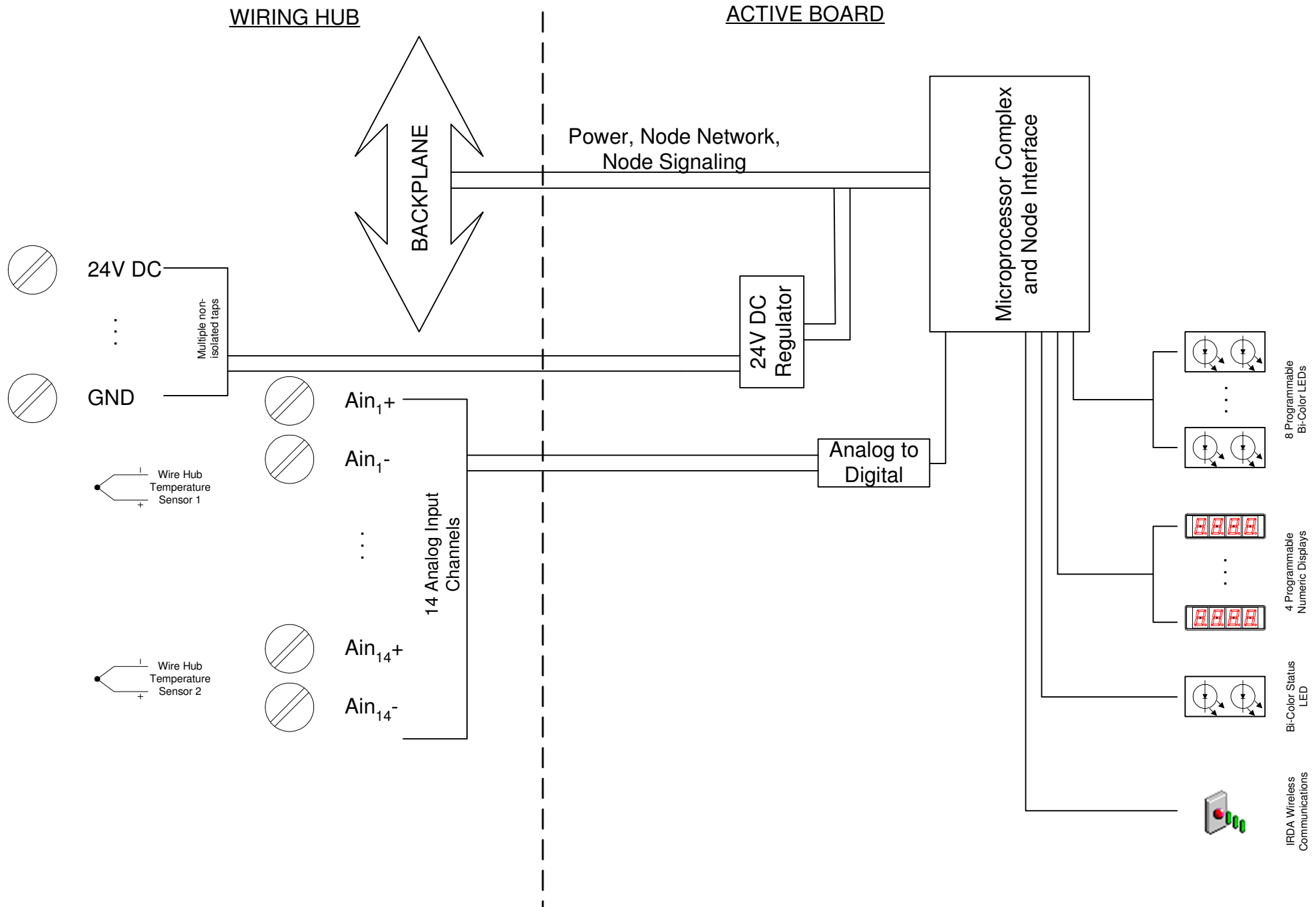
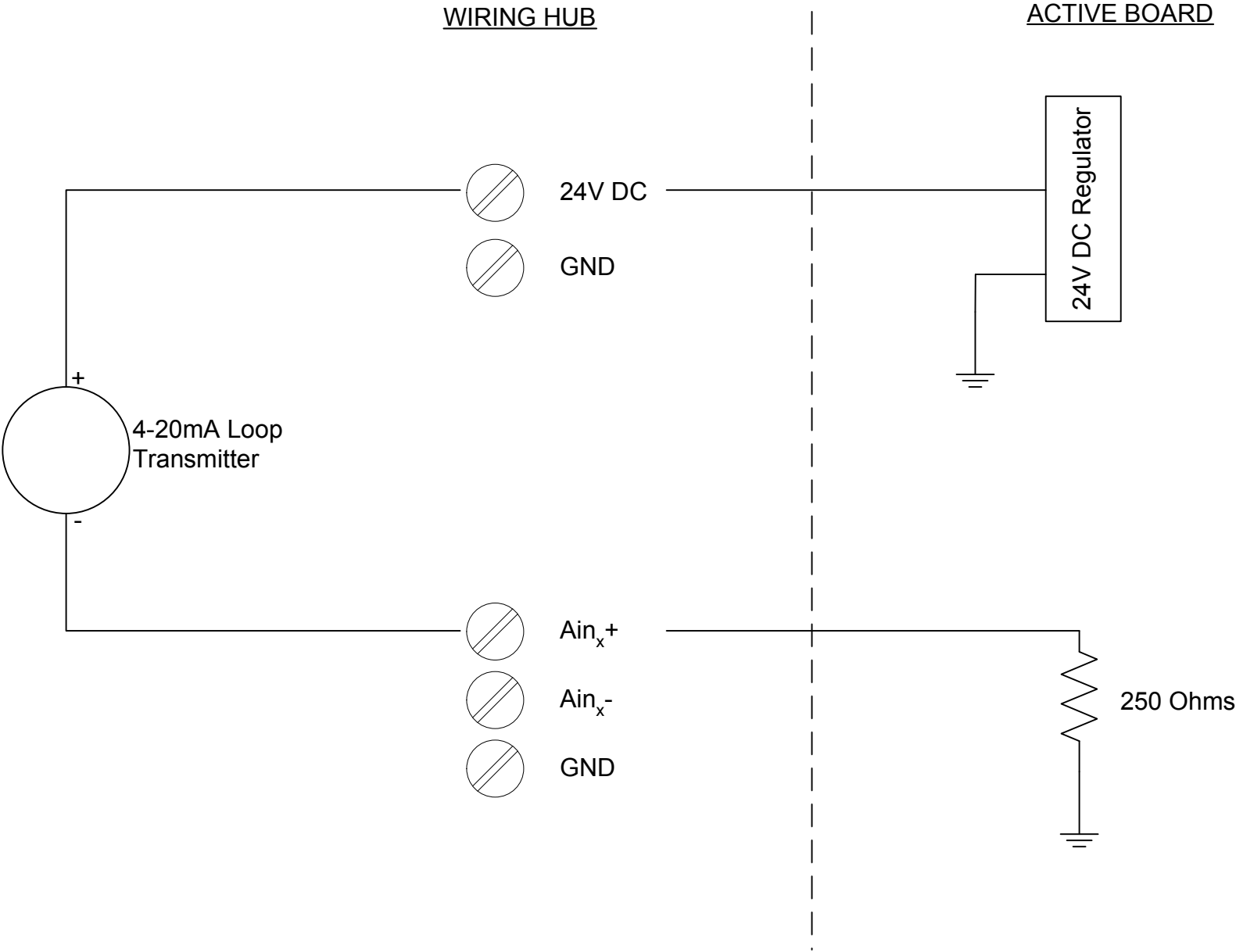


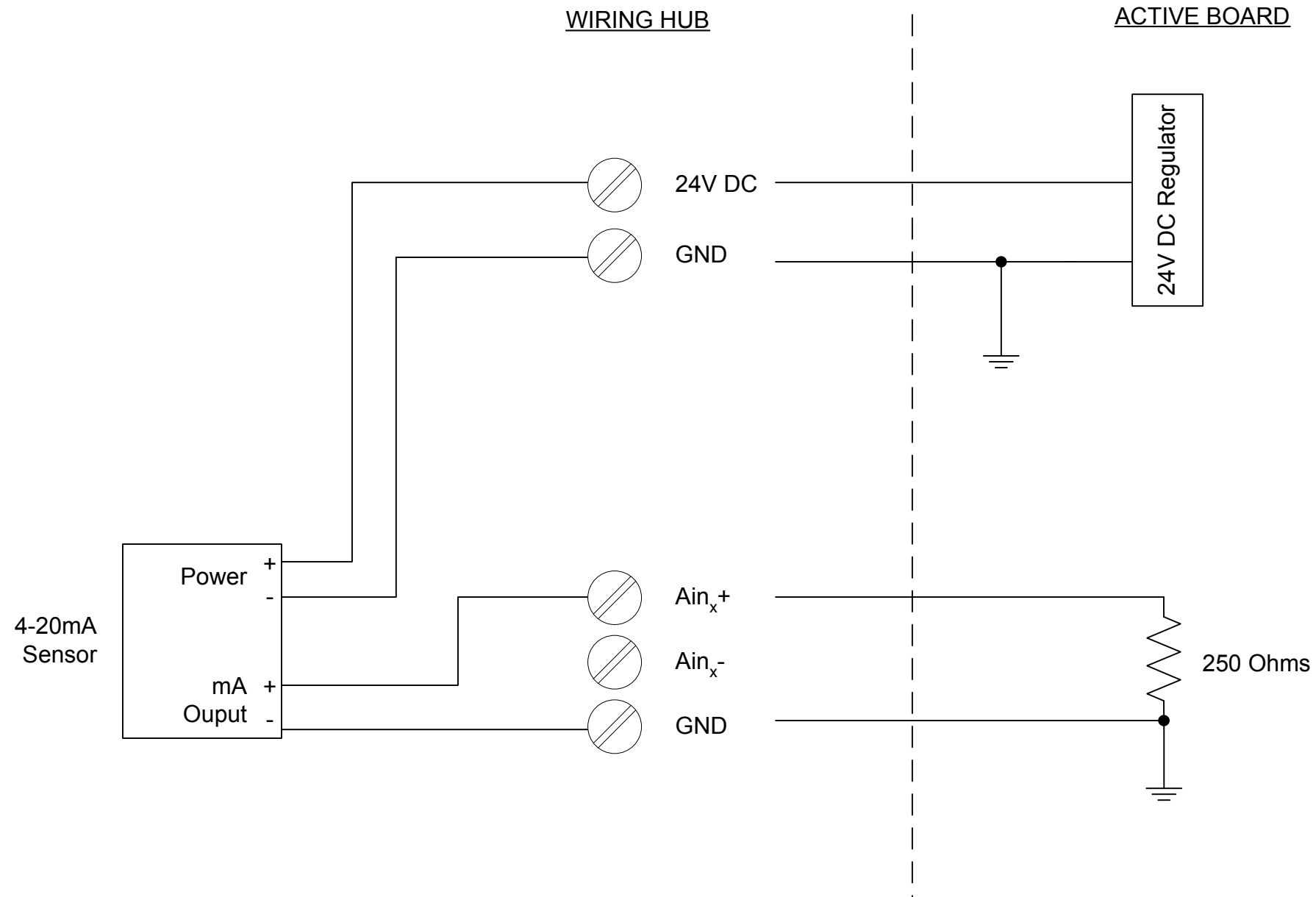
Analog Input Module, Type 1 (AIN-1) Module Topology



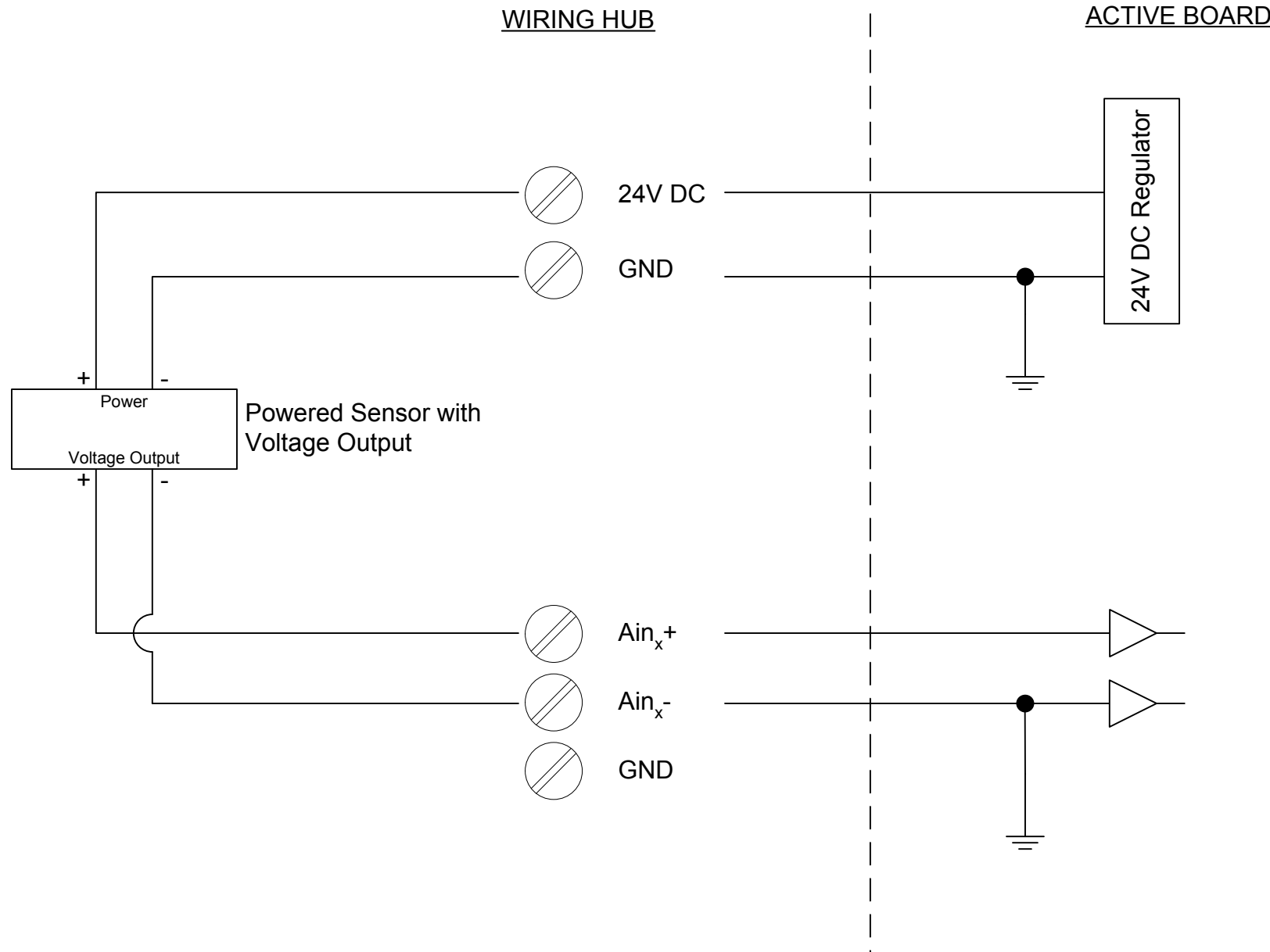
Analog Input Module, Type 1 (AIN-1) Analog Input 4-20mA Loop Transmitter Mode



Analog Input Module, Type 1 (AIN-1) Analog Input 4-20mA Sensor Mode (Non-Loop Powered)



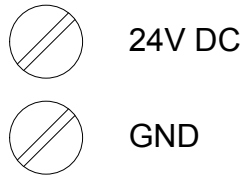
Analog Input Module, Type 1 (AIN-1) Analog Input Voltage Input Mode



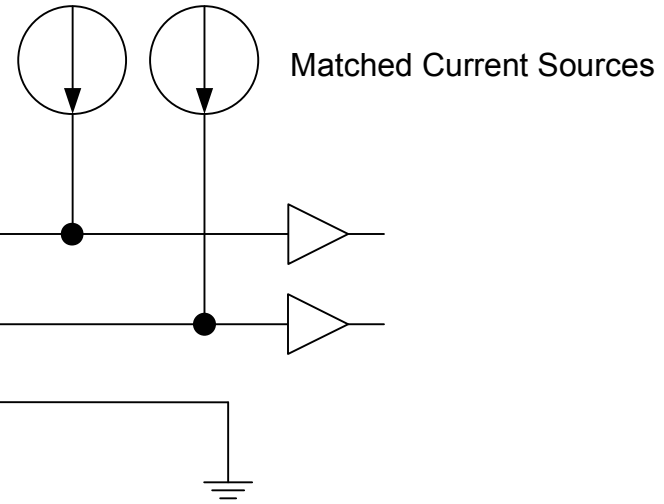
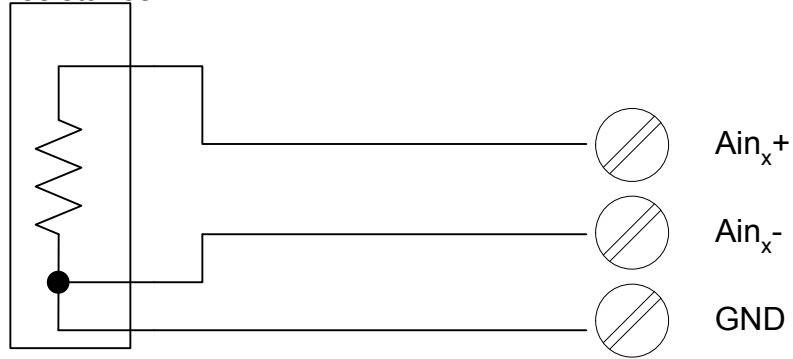
Analog Input Module, Type 1 (AIN-1) Analog Input 3-Wire RTD and Resistance Input Mode

WIRING HUB

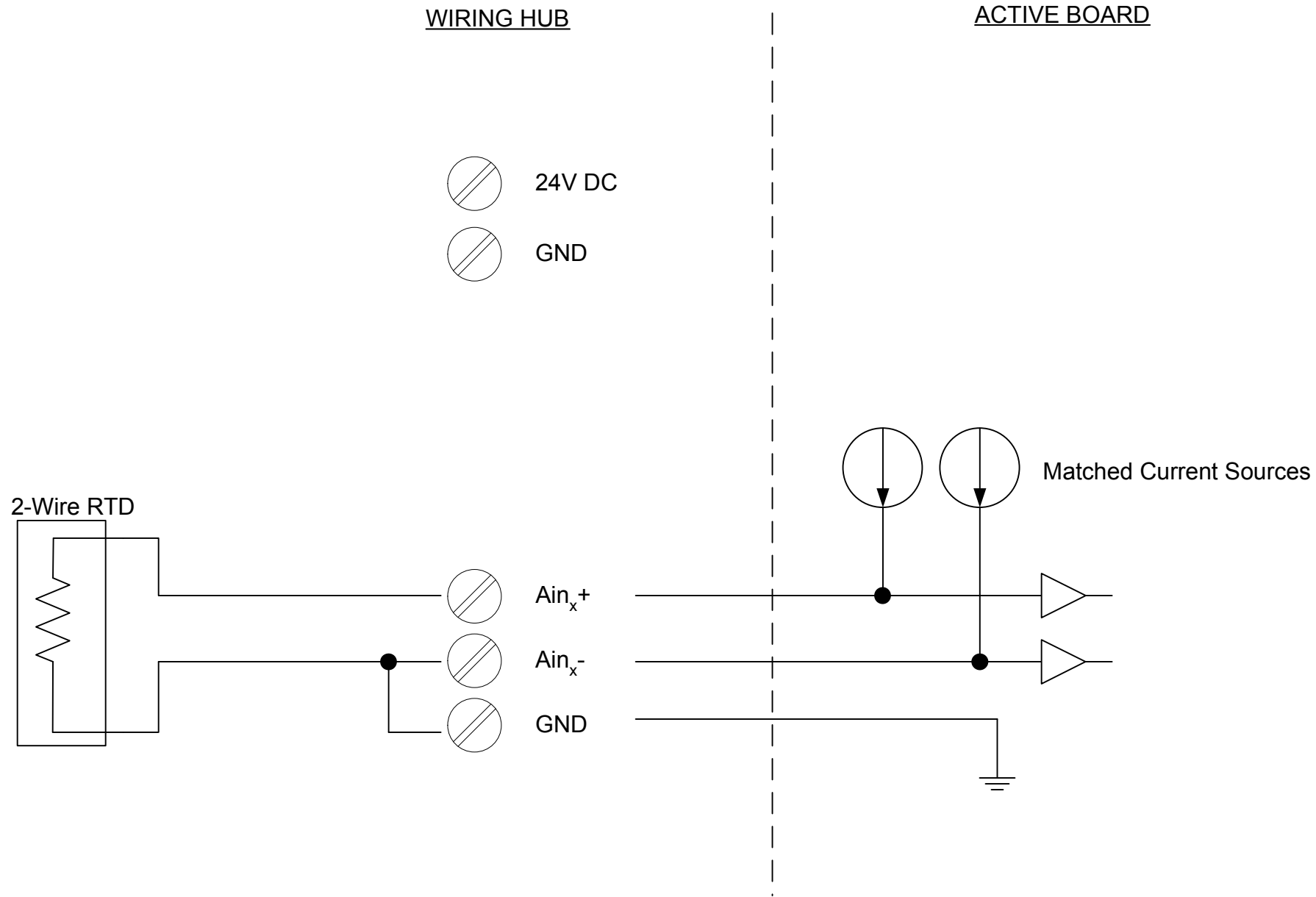
ACTIVE BOARD



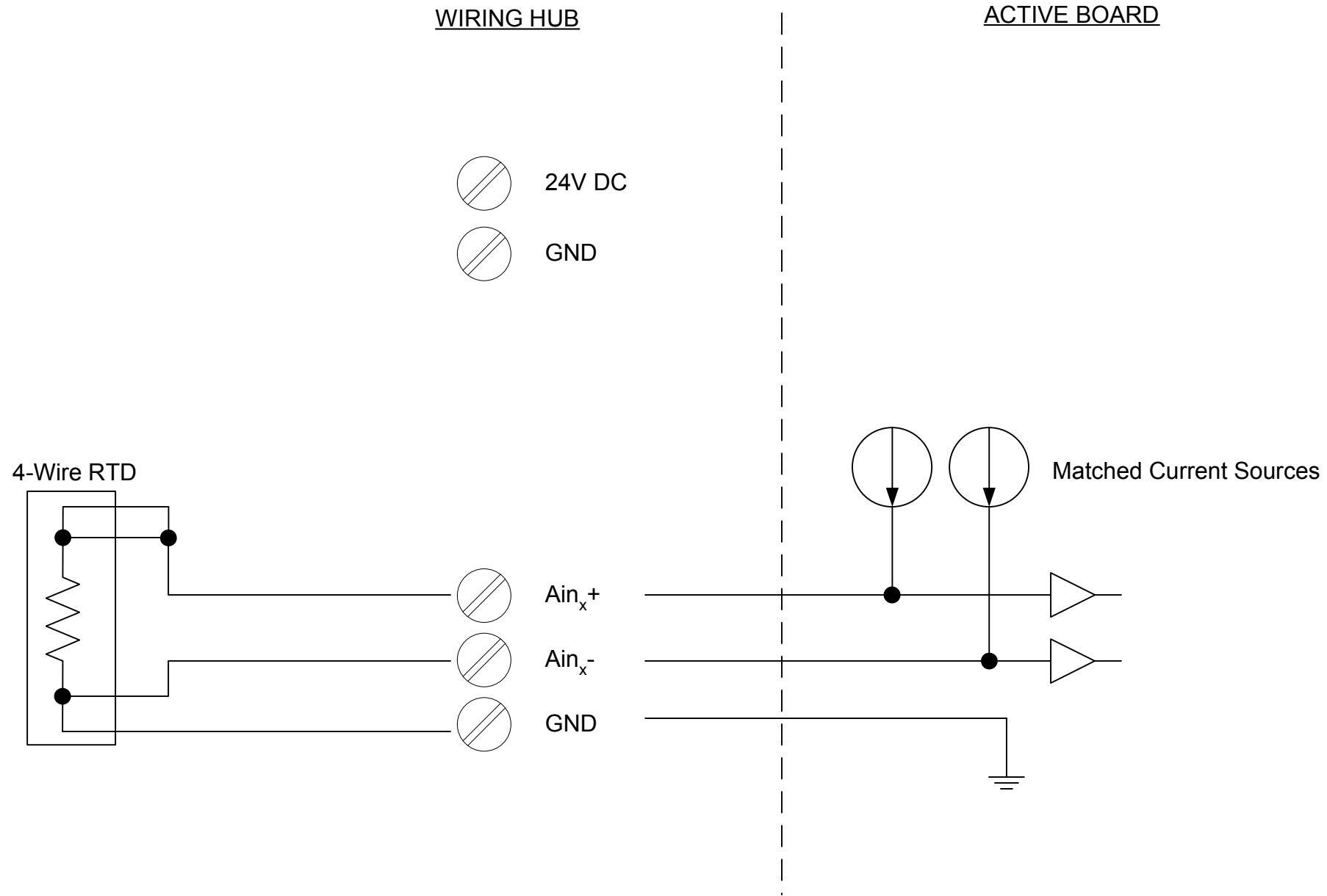
3-Wire RTD or
Resistance



Analog Input Module, Type 1 (AIN-1) Analog Input 2-Wire RTD Input Mode



Analog Input Module, Type 1 (AIN-1) Analog Input 4-Wire RTD Input Mode



Analog Input Module, Type 1 (AIN-1) Analog Input Thermocouple Input Mode

