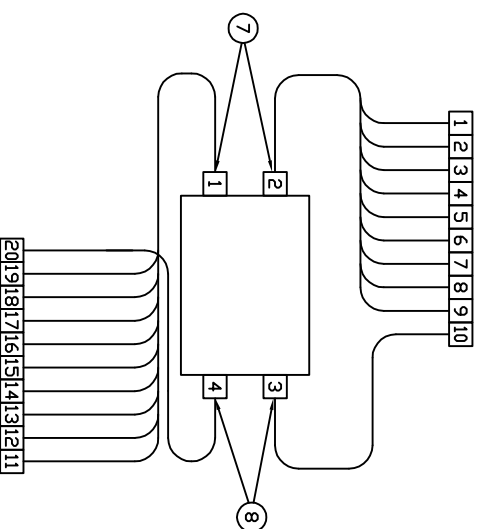
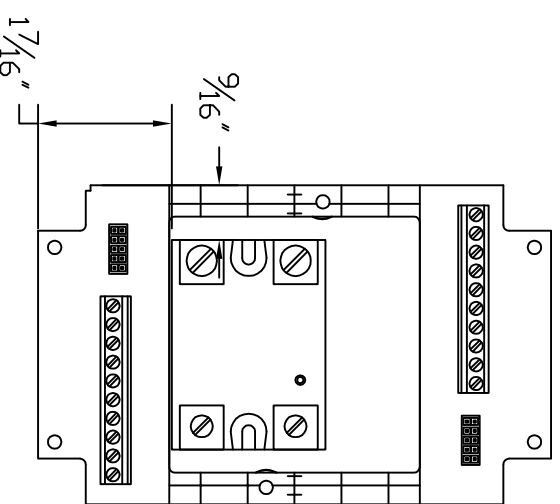


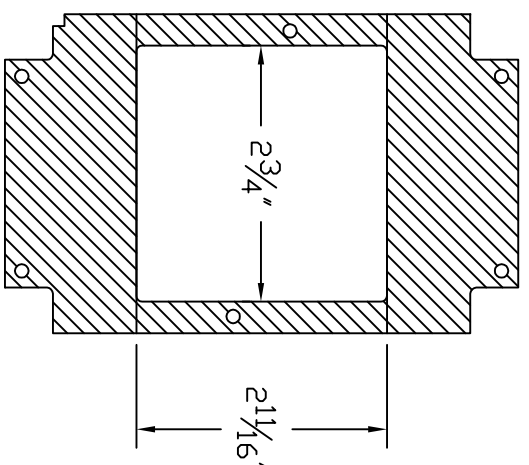
DETAIL 3-A
UCM-1SSR COVER ASSEMBLY
COMPONENT LAYOUT



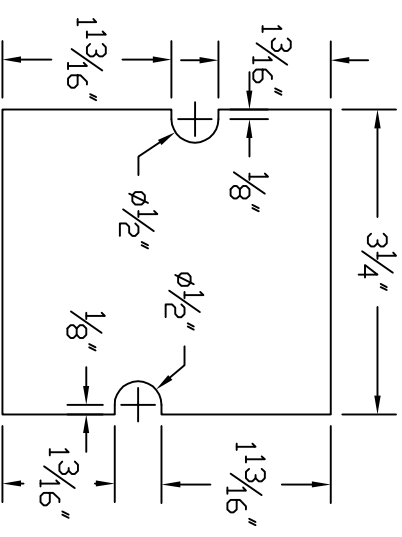
DETAIL 3-B
UCM-1SSR ACTIVE BOARD WIRING DIAGRAM



DETAIL 3-C
UCM-1SSR ACTIVE BOARD SSR PLACEMENT



DETAIL 3-D
UCM-1SSR ACTIVE BOARD
FABRICATION DETAIL



DETAIL 3-E
UCM-1SSR HEAT SINK
FABRICATION DETAIL

SIZE	CAGE CODE	WTGRP	FA DRAWING NO.	REV
B	09TT2	-	01012-625	-
SCALE : AS SHOWN				SHEET 3 OF 3